



MB2001 MILLENNIA Vendor



Operator's Manual

Seaga Manufacturing, Inc.
700 Seaga Drive
Freeport, IL USA 61032
www.seagamfg.com

Seaga UK Ltd
Unit 8, Caebach, Off Builders Street
Llandudno North Wales LL30 1DR
www.seaga.co.uk

INTRODUCTION

Congratulations on the purchase of your new vendor. This vendor has been designed to give you many years of dependable service. It requires little maintenance and is easy to set up and operate.

READ THIS MANUAL COMPLETELY

Your vendor is designed to operate simply and reliably, but to take full advantage of your vendor, please read this owner's manual thoroughly. It contains important information regarding installation and operations, as well as a brief troubleshooting guide.

EQUIPMENT INSPECTION

After you have received your vendor and have it out of the box, place it on a secure surface for further inspection. **Note:** Any damages that may have occurred during shipping must be reported to the delivery carrier immediately. Reporting damages and the seeking of restitution is the responsibility of the equipment owner. The factory is willing to assist you in this process in any way possible. Feel free to contact our Customer Care Department with any questions you may have on this process.

Once you have your vendor located, we suggest that you keep this manual for future reference, or you can view this manual online at www.seagamfg.com. Should any problems occur, refer to the section entitled "COMMON QUESTIONS AND ANSWERS". It is designed to help you quickly identify any problem you may have and correct it.

MANUFACTURER'S WARRANTY

WHAT IS COVERED:

Manufacturer warrants TO THE ORIGINAL PURCHASER ONLY that each item of equipment manufactured is free from defects in material and workmanship under normal use and service. Manufacturer's obligation under this warranty shall be limited to repair or replacement, at our plant, of any parts of the equipment which shall, within one year of the date of shipment to the original purchaser, be demonstrated to be defective. The original purchaser may obtain repair or replacement of the equipment under this warranty by returning the defective item or entire vendor to the Manufacturer, freight pre-paid.

WHAT IS NOT COVERED:

Manufacturer's warranty obligations DO NOT EXTEND TO OR INCLUDE installation expenses, vandalism, or difficulties resulting from failure to operate equipment in accordance with Manufacturer's instructions under competent supervision and difficulties due to changes in vended products which are beyond the control of Manufacturer.

SPECIAL NOTE: Manufacturer is not responsible for any loss of income due to a vending machine being out of service due to a warrantable item.

This warranty is in lieu of all other warranties, expressed or implied, including the warranty of merchantability and fitness or use, and of all other obligations or liabilities on Manufacturer's part. Manufacturer neither assumes, nor authorizes any other person to assume for it, any other liability in connection with the sale of equipment manufactured by itself. This warranty shall not apply to equipment manufactured or any part thereof which is subject to accident, negligence, alteration, abuse, misuse or damage in shipment. The term "original purchaser," as used in this warranty, shall be deemed to mean that person for whom the equipment is originally installed.

Manufacturer is not liable for any incidental, consequential or other damages of any kind whatsoever, directly or indirectly, arising from the use of the equipment whether based upon theories of contract negligence or tort.

Effective 9/01

For Service and Customer Care:

8:30 a.m. - 4:00 p.m. CST. Mon thru Fri
815.297.9500 ext 160
815.297.1758 Fax
email: customercare@seagamfg.com

For Service and Customer Care:

9:00 a.m. - 5:30 p.m. Mon thru Fri
+44(0)1492 874010
+44(0)1492 874644 Fax
email: info@seaga.co.uk



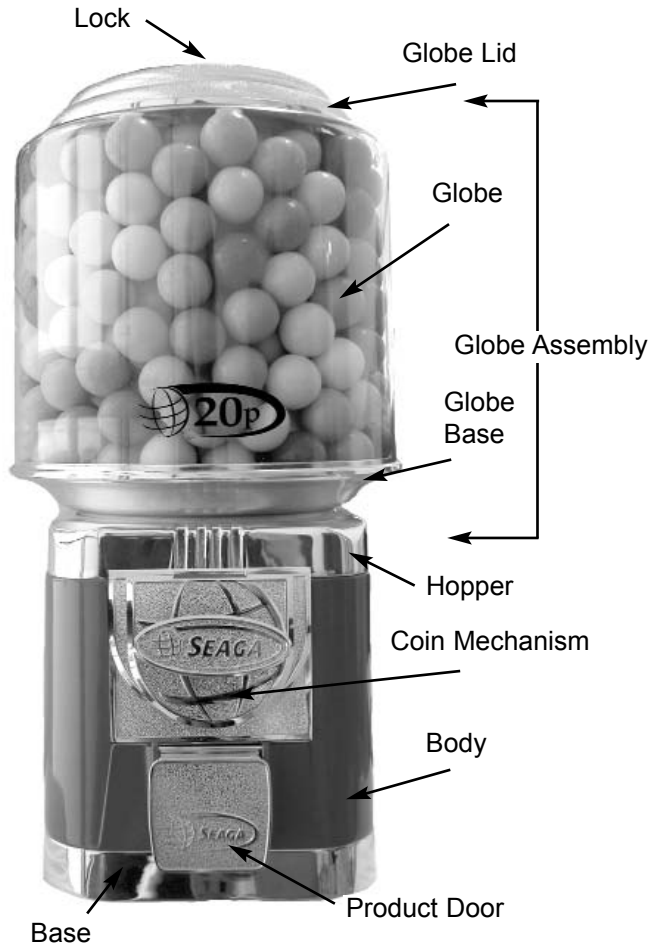
Seaga Manufacturing, Inc.

700 Seaga Drive
Freeport, IL 61032 U.S.A.
Online: www.seagamfg.com

Seaga UK Ltd.

Unit 8, Caebach, Off Builder Street
Llandudno, North Wales LL30 1DR
voice: +44(0)1492 874010
fax: +44(0)1492 874644
Online: www.seaga.co.uk

Millennia
MB2001



(Interior view with Globe Assembly and Coin Mechanism removed)



INITIAL SET-UP

Your Millennia Vendor can set on a counter top or Stand. For Stand assembly refer to STAND ASSEMBLY (Pg. 5)

DELIVERY SYSTEM

Your Millennia Vendor comes standard with a Confectionary Wheel already installed.

INITIAL SET-UP

Your Millennia Vendor can sit on a counter top or be mounted to a Stand. For Stand assembly refer to STAND ASSEMBLY (Pg. 5).

DELIVERY SYSTEM

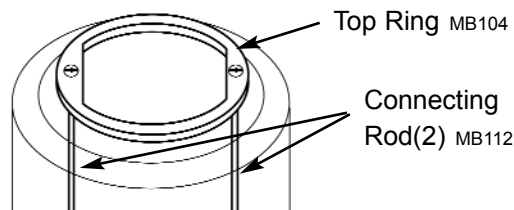
Your Millennia Vendor comes standard with a Confectionary Wheel already installed. **SPECIAL NOTE:** Replacement Confectionary or Gumball Wheels can be purchased by contacting our Parts Department.

1. To change wheels or wheel settings:

- A.) Unlock and open Globe Lid by unscrewing Lock.
- B.) Remove the Globe Lid. Note: The Globe is no longer secured to the body.
- C.) Remove the two (2) Connecting Rods from the Top Ring, and lift Top Ring, Globe, and Globe Base away. (Fig.1)
- D.) Remove Confectionary Housing from the Hopper.
- E.) Remove three (3) Adjustment Screws, (Fig. 2) located next to each cavity, lift up Metal Adjuster Plate and move to the desired wheel setting notch. Notch #1 (the notch to the far left) is for the smallest vends and notch #6 (the notch to the far right) is for the largest vends. The Metal Adjuster Plate can be completely removed if desired for vending large product.
- F.) For gumballs, bouncing balls or capsules, you will need to use the 1 1/16" Gumball Wheel and Housing. The Gumball Wheel is installed by first inserting the Riser (Fig 3). **THE OPENING ON THE RISER MUST FACE THE FRONT OF THE VENDOR.** Next, install Gumball Wheel so that one of the vending holes is positioned over the opening in the Riser. Install the Gumball Housing so that the springs are facing the Coin Mechanism, or front, of the vendor. To adjust the Gumball Wheel, remove the Housing. Loosen the three (3) Adjustment Screws on top of the Gumball Wheel located next to each gumball cavity. Turn the Adjustment Wheel to adjust the opening according to the product being vended. Remember, nothing larger than a 1" (27-32 mm) gumball or capsule can be vended. The springs on the Gumball Housing must be toward the Coin Mechanism or the front of the vendor.

Special Note: We suggest that you always partially fill the Globe with product and perform at least five (5) test vends.

Figure 1 Looking down into the Globe



When your portion vends at the desired setting, continue filling the vendor with product. Replace the lid and install Lock.

Note: Do not over tighten the Lock as only a snug fit is necessary.

COIN MECHANISM

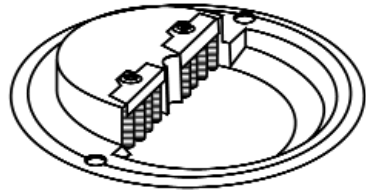
The Coin Mechanism (Fig. 4) can be removed by removing the Globe Lid and lifting off the Globe Assembly. Once the Globe Assembly is removed, the Coin Mechanism can now be lifted upwards and removed.

1. To Dismantle Coin Mechanism:

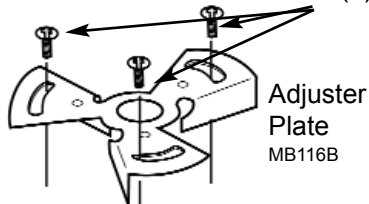
- A.) Remove Center Screw.
- B.) Remove Sprocket.
- C.) Remove three (3) Mounting Screws.
- D.) Pull Back Plate away from Face Plate.
- E.) Remove jammed coin.
- F.) Replace parts in steps A-D in reverse order.

Figure 2 Confectionary Wheel

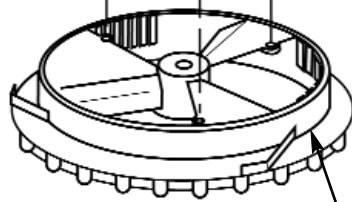
Confectionary Wheel Housing MB116T



Adjustment
Screws (3)



Adjuster
Plate
MB116B

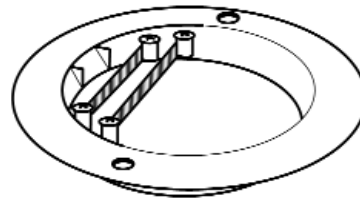


Confectionary Wheel
MB116B

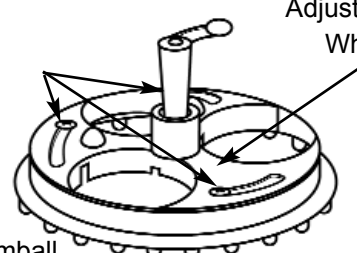
Wheel Setting
Notches (6)

Figure 3 Gumball Wheel

Gumball Housing MB117T



Adjustment
Wheel



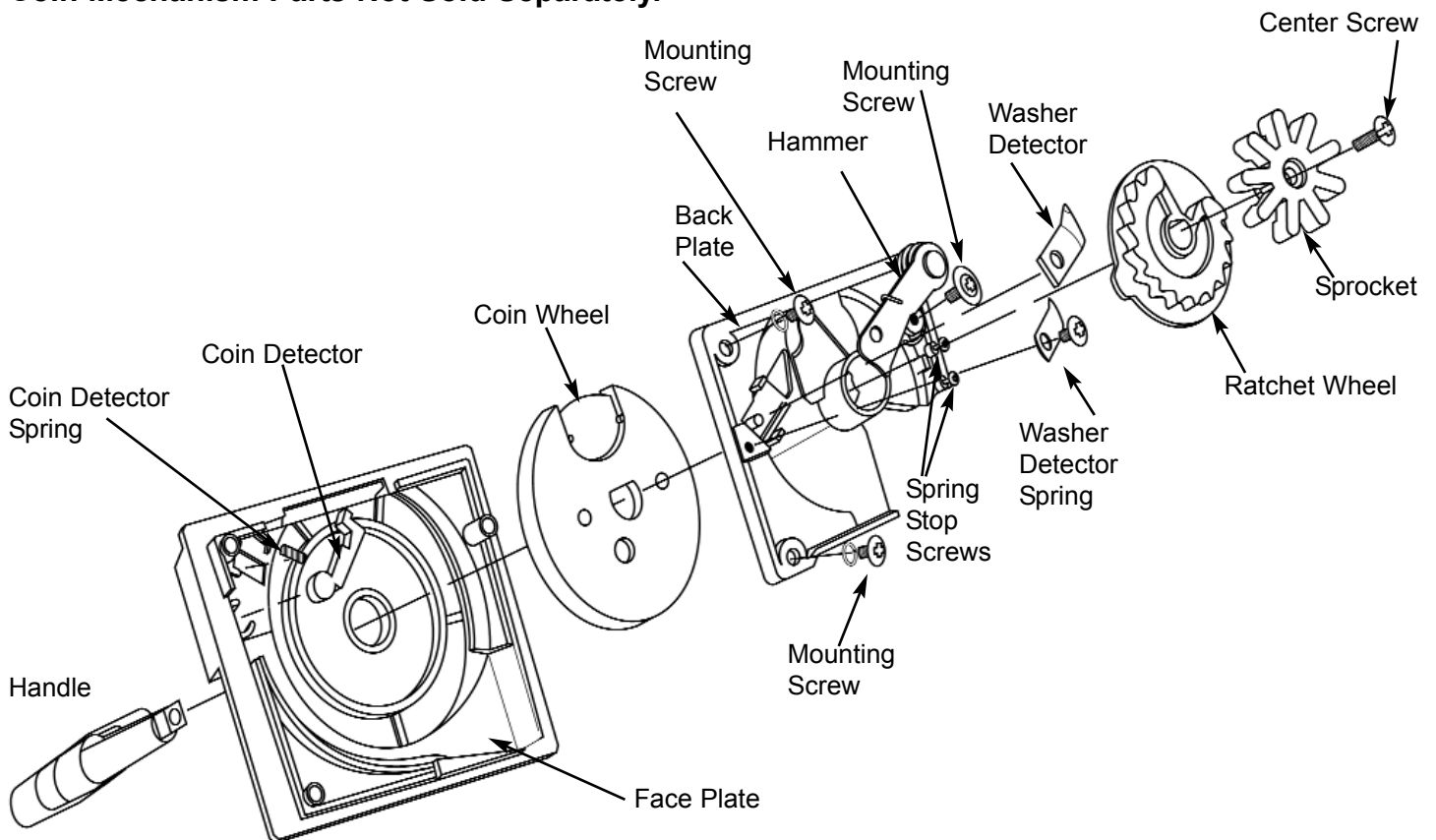
Gumball
Wheel
MB117B



Riser
MB117R

Figure 4 Coin Mechanism Exploded View

**Illustration for Adjustment & Maintenance Use Only.
Coin Mechanism Parts Not Sold Separately.**



COIN RETRIEVAL

Your Millennia Vendor's Base accepts the coins. Coins cycled through the Coin Mechanism will fall into the Base. You do not need to remove product to retrieve coins.

1. To Retrieve Coins.

- A.) Unlock and open Globe Lid by unscrewing Lock. Note: Globe Lid is only resting on the Globe.
- B.) Lift Globe Assembly, and set aside on a secure surface.
- C.) Retrieve coins from Base.
- D.) Replace Globe Assembly.
- E.) Replace and tighten Lock Note: Do not over tighten the Lock as only a snug fit is necessary.

STAND ASSEMBLY (Optional)

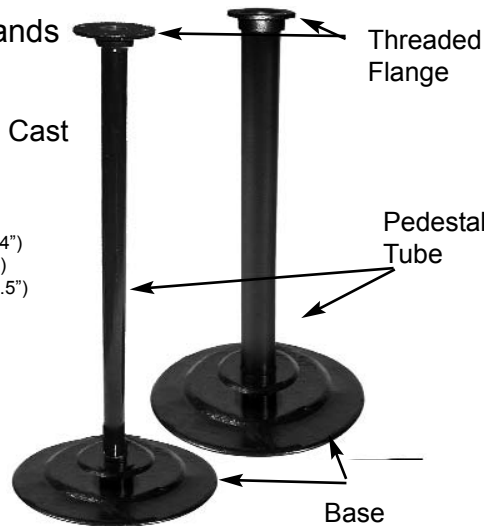
Figure 5 Optional Stands

Titan Heavy Duty Cast Iron Stand

ST1000C
Dimensions:
Flange: 10.2 cm (4")
Tube: 3.8 cm (1.5")
Base: 36.8 cm (14.5")

Hercules Heavy Duty Cast Iron Stand

ST2000C
Dimensions:
Flange: 12.7 cm (5")
Tube: 7.6 cm (3")
Base: 45.7 cm (18")



Your Millennia Vendor can be mounted on an optional stand. Seaga Manufacturing offers two options for stand mounting, the Titan Heavy Duty Cast Iron Stand and the Hercules Heavy Duty Cast Iron Stand (Fig. 5). Both stands are designed to mount a wide variety of vendors. This manual provides assembly and mounting instructions for both.

Heavy Duty Cast Iron Stand

The Heavy Duty Cast Iron Stand itself consists of three (3) main parts. The Base, threaded Pedestal Tube, and Threaded Flange.

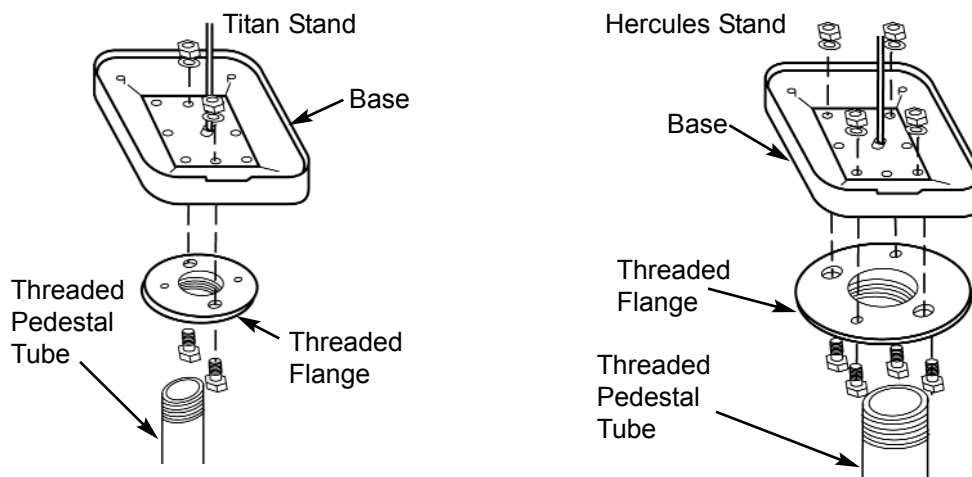
1. For Single Mount.

- A.) Place the threaded Pedestal Tube into the threaded opening on the pedestal Base and tighten.
- B.) Place Threaded Flange onto threaded Pedestal Tube.
- C.) Secure the pedestal Base and tighten the Threaded Flange by turning clockwise.
- D.) Disassemble vendor to free Base. (See: Coin Retrieval)
- E.) Align holes in vendor's Base to the large holes in the Threaded Flange. (Fig. 6)

Note: The front of the Base has a notch for the Product Chute.

- F.) Insert two (2) bolts from Threaded Flange through Base.

Figure 6 Heavy Duty Cast Iron Stand Single Mounting



G.) Apply washers and nuts. Tighten. DO NOT OVER TIGHTEN. Over tightening can damage the Base and void warranty.

H.) Reassemble vendor.

2. For Double Mount.

A.) Complete steps A-D as above.

B.) Place Large Double Bracket on top, and align large holes in Threaded Flange to holes in Large Double Bracket. (Fig. 7)

C.) Insert Bolts from Threaded Flange up through Large Double Bracket. Apply washers and nuts. Tighten.

D.) Align front and rear most holes in Base to the outer most holes in the Double Bracket. (Fig. 7)

Note: The front of the Base has a notch for the Product Chute.

E.) Insert two (2) bolts (per vendor) up from the Large Double Bracket.

F.) Apply washers and nuts. Tighten. DO NOT OVER TIGHTEN. Over tightening can damage the Base and void warranty.

G.) Reassemble vendors.

3. For Triple Mount.

A.) Complete steps A-D as above.

B.) Place Triple Bracket on top, and align large holes in Threaded Flange to holes in Triple Bracket. (Fig. 7)

C.) Insert Bolts from Threaded Flange up through Triple Bracket. Apply washers and nuts. Tighten.

D.) Align front and rear most holes in Base to the outer most holes in the Triple Bracket. (Fig. 7)

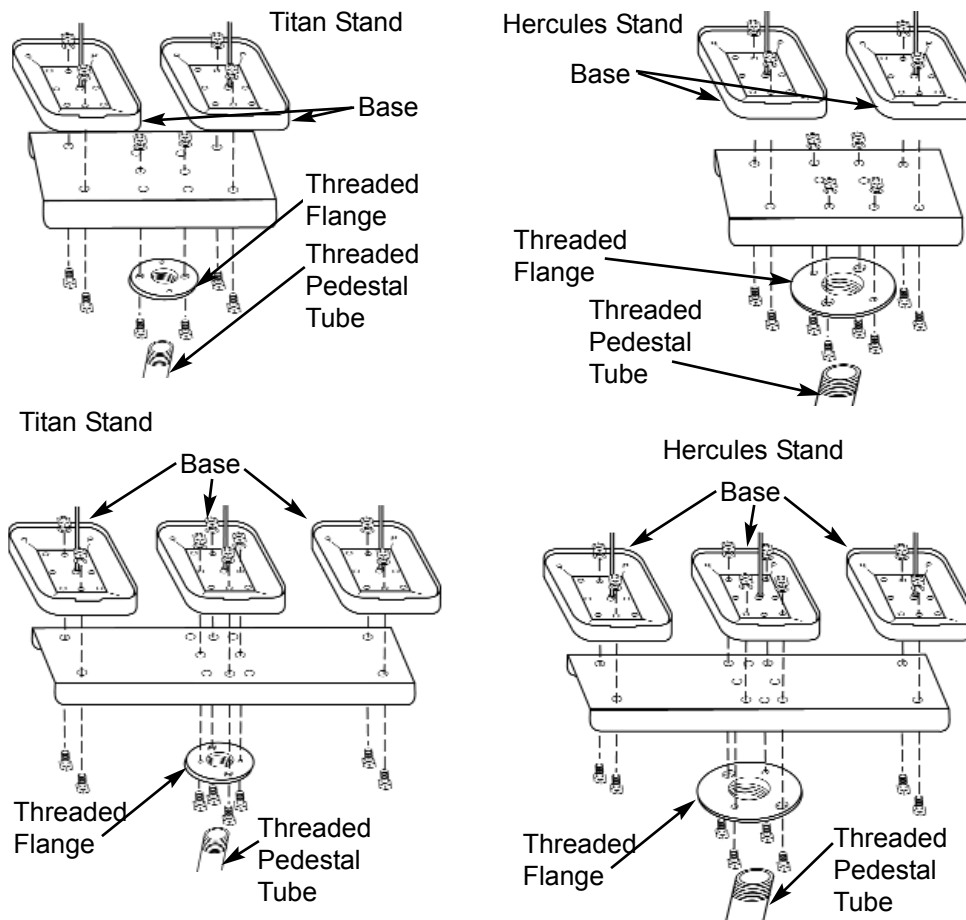
Note: The front of the Base has a notch for the Product Chute.

E.) Insert two (2) bolts (per vendor) up from the Triple Bracket.

F.) Apply washers and nuts. Tighten. DO NOT OVER TIGHTEN. Over tightening can damage the base and void warranty.

G.) Reassemble vendors.

Figure 7 Heavy Duty Cast Iron Stand Double and Triple Mounting



COMMON QUESTIONS AND ANSWERS

VENDING

Q: How does my Millennia Vendor actually vend?

A: Your vendor is a gravity-feed bulk vendor. Gravity feeds the product to the bottom of the vendor. Maintaining fresh, non-melted product is essential.

Q: Can I always count on a 100% consistent vend?

A: Products that are consistent in size would be more likely to dispense consistently, products that vary in size will fluctuate. However all products will fluctuate somewhat.

Q: Does the Globe need to be full to vend properly?

A: No. A selection will dispense as long as there is product to vend.

Q: How do I remove product?

A: We recommend that you bring a clean container with you. Remove the Globe Assembly and pour the product into your clean container. Some product will remain but this will remove the majority of the product.

Q: How do I set my portion?

A: Refer to the "Delivery System" section of this manual.

Q: What do I do if product becomes "gummed up" in my Millennia Vendor?

A: If your product is melted together scoop or pour out the product from the top. Remove your dispensing wheel as described in the manual. Your wheel can now be cleaned, (hot water is recommended) and your product area wiped out. For severe cases, the entire unit may need to be cleaned. Special Note: The vendor must be absolutely dry before loading with product.

OPERATION

Q: Can I use tokens in my Millennia Vendor?

A: Tokens can be used if they are the exact size and thickness as a coin. Special mechanisms can be ordered from the Parts Department.

Q: How do I retrieve a bad or incorrect coin from my mechanism?

A: If coin can not be retrieved from mechanism by plucking it from the front, the mechanism will need to be removed and the coin dumped out. Refer to "Coin Mechanism" section of manual.

Q: How many 20p coins will my Base hold?

A: The Base will hold approximately 400 coins.

Q: Will slugs work in my Coin Mechanism?

A: As is with all bulk vending machines, the possibility of slugs passing through does exist. The size of the slug does need to be close to the same size as a 20p coin for it to vend however.

Q: Will washers work in my Coin Mechanism.

A: The Coin Mechanism is equipped with a washer detector, located on the back, left side of the mechanism. This detection device will stop most washers, but is not guaranteed to stop them all.

Q: What do I do if my mechanism rotates backwards.

A: Remove mechanism and determine if the Hammer has not engaged the Ratchet Wheel. Check for possible loose screws.

Q: What do I do if my mechanism rotates fully with an incorrect coin or no coin?

A: Remove the mechanism as described. First check to see if the screws on the back of the mechanism are tight. If the problem persists the Coin Detector and Coin Detector Spring may be loose or missing.

Q: Will my mechanism ever require lubrication? If so, how do I lubricate it?

A: Lubricate on an "as needed basis". To do so, you do not need to open the machine, simply place a 20p coin in the mechanism and rotate the handle $\frac{1}{4}$ turn. In the Coin Slot place a small drop of lubricating oil on each side of the exposed Coin Wheel and complete the handle rotation. A couple of rotations may be necessary to "loosen " up the turning of the mechanism.

MAINTENANCE

Q: How do I clean the outside of my Millennium Vendor?

A: A non lint depositing rag or towel and a little window cleaner will be sufficient to clean the outside of your Millennium Vendor.

A clean well-stocked machine is an inviting machine!

Q: Can toys and other trinkets be vended from my Millennium Vendor?

A: One-inch (25 mm) capsules and 27-32 mm bouncy balls and gumballs (850 count) can be vended through the Gumball Wheel.